

## 1956 Short Course to Be Held On Unit Processes

**A**NNOUNCEMENT that there will be a 1956 short course and that the subject will be on unit processes in the fatty oil, soap, and detergent industries is made by the chairman of the Education Committee of the American Oil Chemists' Society, Karl F. Mattil, of Swift and Company, Chicago. Dates and place are yet to be decided.



**K. F. Mattil**

Members of the committee are A. R. Baldwin, G. A. Crapple, J. P. Harris, R. T. Milner, A. A. Rodeghier, Daniel Swern, and C. K. Wiesman.

This will be the eighth short course sponsored by the Society, beginning in 1948 and continuing except for the year 1951. Subjects covered have been edible oils, drying oils, soaps and synthetic detergents, engineering as-

pects of processing oilseeds, inedible fats and fatty acids, and analytical techniques. All of these, save 1948, are available in bound reprint form or in a Journal issue, for \$3 a copy.

R. J. Sims, Swift and Company, Chicago, Ill., has been named chairman of the program subcommittee for the 1956 course.

### Other Associations

The ASSOCIATION OF OFFICIAL AGRICULTURAL CHEMISTS has announced the appointment of 23 chemists to test proposed methods and develop new methods of analysis for pesticide residues on foods. Simultaneously an invitation was extended to other interested chemists to assist in these studies. Those who would like to submit methods or participate in the collaborative work may contact William Horwitz, Association of Official Agricultural Chemists, Box 540, Benjamin Franklin Station, Washington 4, D. C.

The SYNTHETIC ORGANIC CHEMICAL MANUFACTURERS ASSOCIATION has established an annual award for creative work in synthetic organic chemistry, to be administered by the American Chemical Society. It consists of \$1,000, a certificate, and a gold medal.

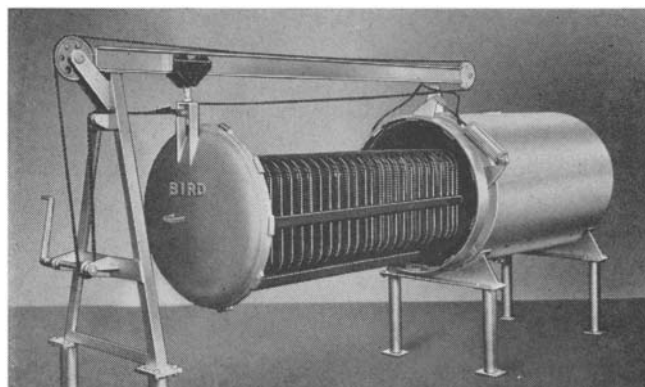
The winners of three cash awards for the best original papers on tall oil will be announced about March 1, 1956, by the Tall Oil Division of the PULP CHEMICALS ASSOCIATION.

Officers of the SOCIETY OF COSMETIC CHEMISTS for 1956 are George G. Kolar, Kolar Laboratories Inc., Chicago, Ill., president; Sabbat J. Strianse, Vick Chemical Company, president-elect; Walter A. Taylor, Chesebrough-Pond's Inc., treasurer; and Robert A. Kramer, Evans Research and Development Corporation, secretary.

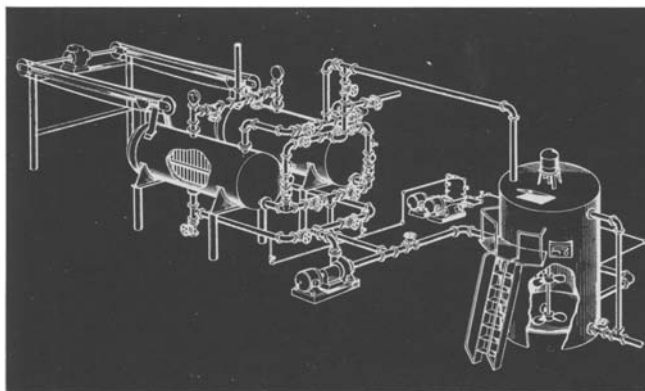
National officers of the ASSOCIATION OF CORROSION ENGINEERS for 1956-57 are W. F. Fair Jr., Koppers Company Inc., Pittsburgh, Pa., president; W. H. Stewart, Sun Pipe Line Company, Beaumont, Tex., vice president; and R. A. Brannon, Humble Pipe Line Company, Houston, Tex., treasurer.

### Plan Italian Meeting

The second Italian meeting on "Chemistry and Technology of Fats" will be held May 7-9, 1956, at the Museum for Science and Technology, Milan, Italy. In connection with the meeting the first congress of the International Society for Fat Science will be held. Registration forms are available from the Chicago office of the American Oil Chemists' Society.



## BIRD PRESSURE FILTER



## ALL WRAPPED UP IN A NEAT, COMPLETE PACKAGE

What a smart, convenient, time-saving way to acquire an efficient, economical filter station!

The representative installation shown above is typical of the complete "packaged" units Bird is prepared to design and furnish.

These units include pumps, piping, valves, fittings, meters—all integrated and ready to go—every part fitted for the specific application.

Ideal applications include filtering vegetable oils, filtering stearins from winterized oils, removing bleaching clays, polishing solvent extraction oils and recovering nickel catalyst from hydrogenated oils.

Why not take advantage of this complete filtration service? Our experts in the processing of vegetable oils will be glad to work out recommendations and estimates.

*Pilot-size Bird Pressure Filters are available for testing before you invest in equipment.*

---

**BIRD MACHINE COMPANY**  
South Walpole, Massachusetts  
REGIONAL OFFICES: Evanston, Illinois; Portland, Oregon

---